

# SM-150 METAL ROOF SYSTEM



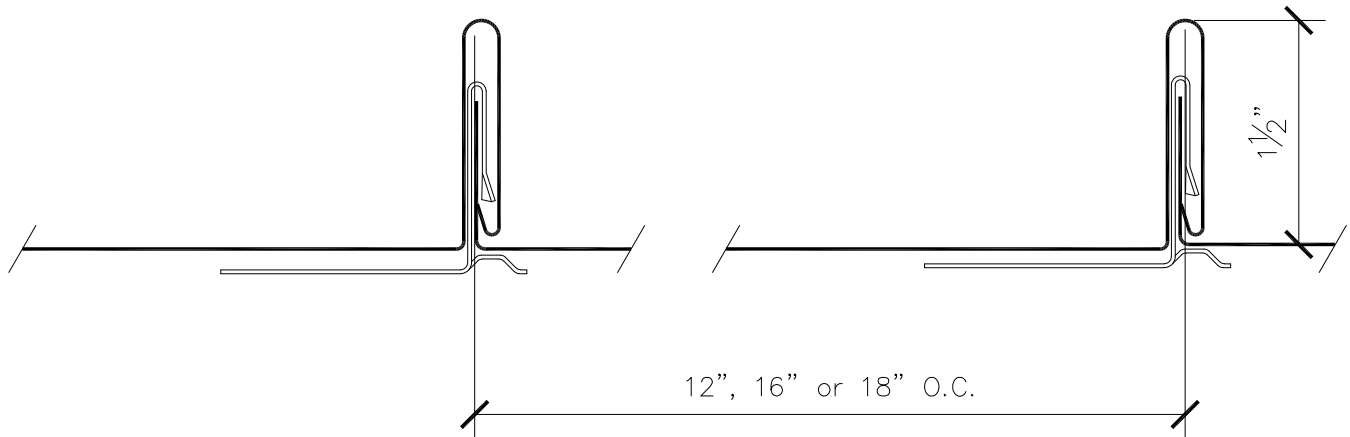
## MATERIALS

.032 aluminum 24 gauge steel  
.040 aluminum 22 gauge steel

## SPECS

12", 16" or 18" O.C. 1-1/2" High

UL-90



## PRODUCT FEATURES

- Architectural panel
- Continuous interlock
- Labor-saving one-piece design
- Stiffener beads upon request
- Striations upon request
- 30-year-non-prorated finish warranty

## UL CLASSIFICATION

- UL-580 Class 90

## ASTM TESTS

- ASTM-E84 tested (Class A Fire Rating)
- Florida Building Code Compliant

Note: UL 90 is available on steel panels up to 18" on center, and on aluminum panels up to 16" on center.